

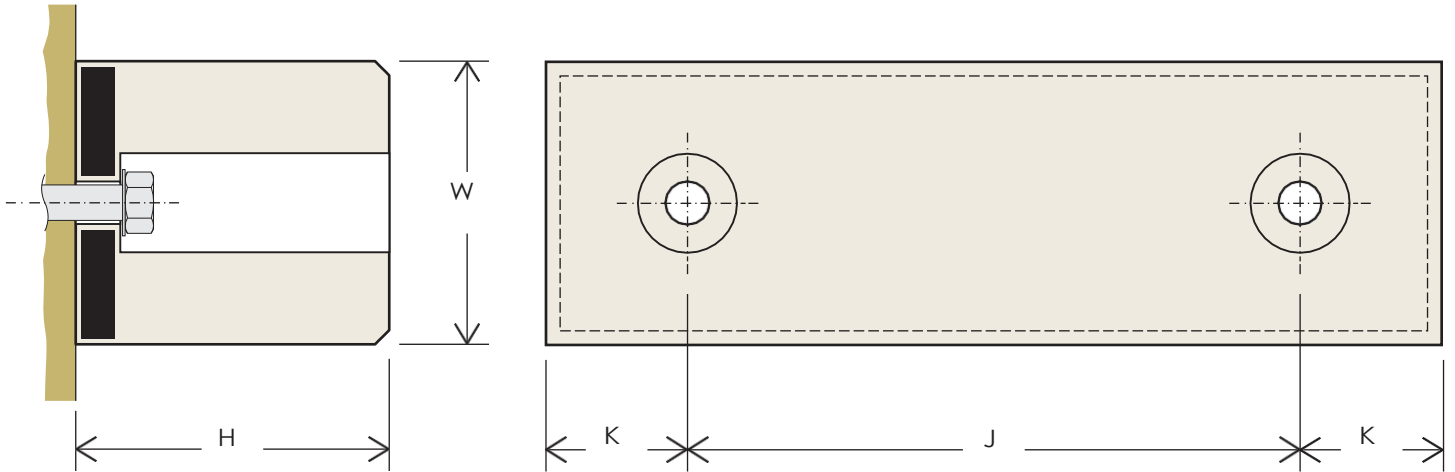
Bencros BFB Fender Bars are simple and ultra durable - ideal for fishing harbours and small boat berths.

Their internally vulcanised steel plate offers a low-profile fixing which resists the rigours of heavy impacts.

Fender Bars are also popular for bridge buttress protection, loading bays or similar applications.

Units come in a selection of sizes and lengths to suit all come in a wide selection of sizes and lengths.

Please ask Bencros for further details.



W	H	J	K	L	Anchors	Weight	E	R
150	150	1 x 500	250	1000	2 x M24	38	16.7	638
150	150	2 x 500	250	1500	3 x M24	56	24.5	961
150	200	1 x 500	250	1000	2 x M24	43	16.7	441
150	200	2 x 500	250	1500	3 x M24	65	24.5	667
200	200	1 x 500	250	1000	2 x M30	65	26.5	824
200	200	2 x 500	250	1500	3 x M30	98	40.2	1236
200	250	1 x 500	250	1000	2 x M30	77	26.5	657
200	250	2 x 500	250	1500	3 x M30	116	40.2	991
200	300	1 x 500	250	1000	2 x M30	88	26.5	530
200	300	2 x 500	250	1500	3 x M30	132	40.2	795

Dimensions are in millimetres, weights are in kilogramme per fender.  
 Performance tolerance is  $\pm 20\%$ .  
 Energy and reaction are per fender and for Bencros C1 (standard) rubber grade.

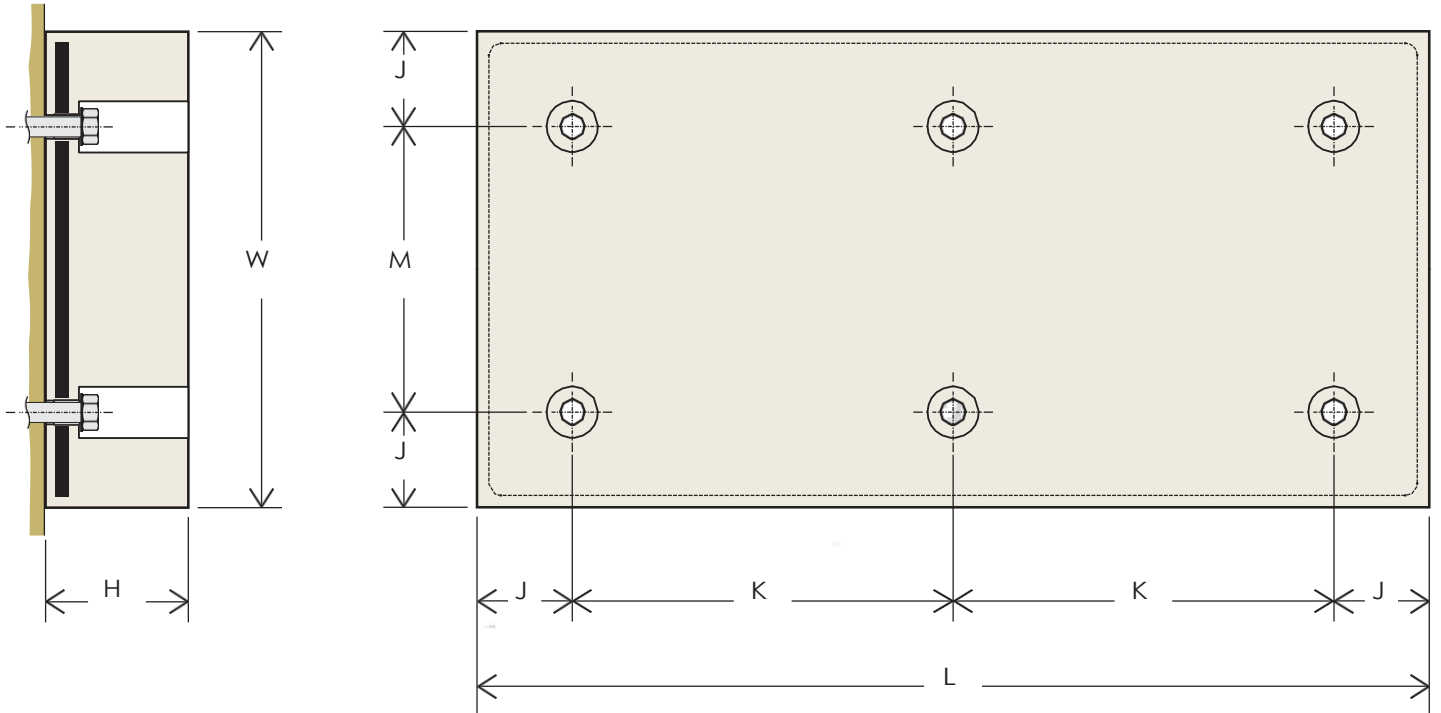
Bencros BPP are resilient panels fitted to berths where small vessels moored. They protect both the dock face and the vessel from abrasion.

MPP are ideally suited to situations where the distance between the boat and berth must be minimised, reducing the risk of cargo dropping through the gap.

The internally vulcanised steel plate ensures a strong fixing to the structure, whilst the low profile means low bending moments in the bolts.

Bencros BPP panels come with a flat face as standard, with the option of a textured face where high friction is desirable.

Please ask Bencros for further details.



H	W	L	J	K	M	Anchors	Weight
50	500	1000	100	800	300	4 x M20	46
50	600	1000	150	700	300	4 x M20	55
50	750	1000	150	700	450	4 x M20	69
50	500	1500	100	650	300	6 x M20	69
50	600	1500	150	600	300	6 x M20	83
50	750	1500	100	600	450	6 x M20	104
75	500	1000	100	800	300	4 x M20	61
75	600	1000	150	700	300	4 x M20	73
75	750	1000	150	700	450	4 x M20	91
75	500	1500	100	650	300	6 x M20	91
75	600	1500	150	600	300	6 x M20	109
75	750	1500	100	600	450	6 x M20	137
100	500	1000	100	800	300	4 x M20	75
100	600	1000	150	700	300	4 x M20	91
100	750	1000	150	700	450	4 x M20	114

H	W	L	J	K	M	Anchors	Weight
100	500	1500	100	650	300	6 x M20	113
100	600	1500	150	600	300	6 x M20	136
100	750	1500	100	600	450	6 x M20	170
125	500	1000	100	800	300	4 x M20	90
125	600	1000	150	700	300	4 x M20	108
125	750	1000	150	700	450	4 x M20	136
125	500	1500	100	650	300	6 x M20	135
125	600	1500	150	600	300	6 x M20	163
125	750	1500	100	600	450	6 x M20	204
150	500	1000	100	800	300	4 x M20	105
150	600	1000	150	700	300	4 x M20	126
150	750	1000	150	700	450	4 x M20	158
150	500	1500	100	650	300	6 x M20	157
150	600	1500	150	600	300	6 x M20	189
150	750	1500	100	600	450	6 x M20	237

Dimensions are in millimetres, weights are in kilogramme per fender. For other sizes, fixing details and custom features, please ask Bencros.