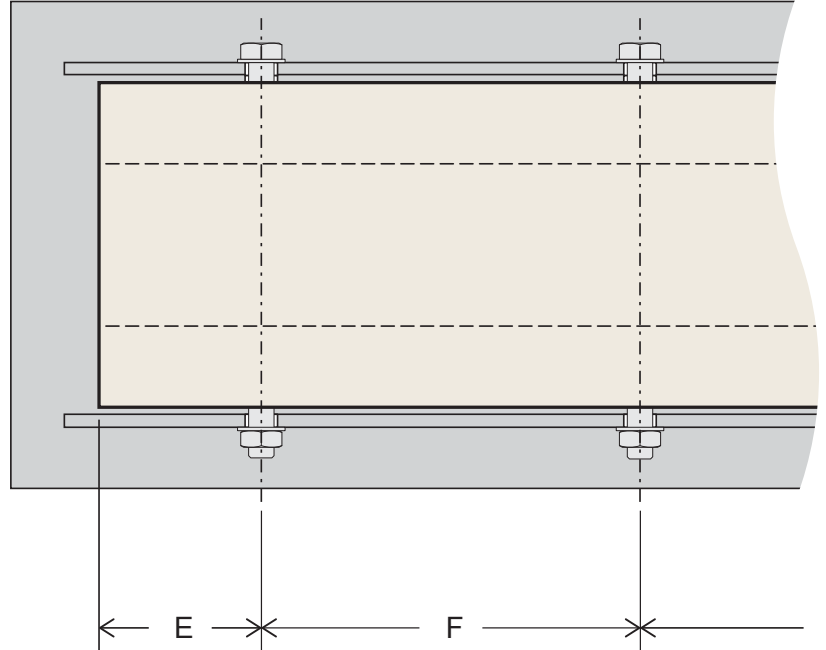
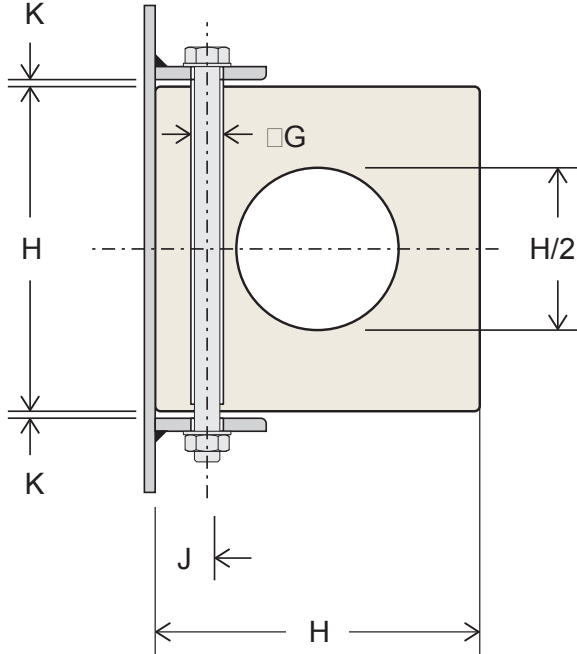


Bencros SC fenders are highly durable. They provide excellent impact protection in many applications, including jetties and wharfs, tugs and loading bays.

with pre-curved or even angle bends, as the project demands. Bencros SC performance values are based on the standard C1 grade, but harder (high energy) and softer (low reaction) compounds are also available on request.

Moulded and extruded variants are available, cut to length, pre-drilled, ends chamfered and

Please ask Bencros for further.



H	E	F	ØG	J	K	Flat Bar	Bolts	Weight	Energy	Reaction
100	90-130	200-300	18	25	5	40 x 5	M12	9.6	2.8	173
150	110-150	250-350	24	30	6	60 x 8	M16	22	6.3	259
200	130-180	300-400	30	45	8	80 x 10	M20	39	11.3	345
250	140-200	350-450	36	50	10	90 x 12	M24	60	17.6	432
300	140-200	350-450	36	50	12	110 x 12	M24	87	25.4	518
350	140-200	350-450	45	60	12	130 x 15	M30	118	34.5	604
400	140-200	350-450	45	80	15	150 x 15	M30	154	45.1	690
500	160-230	400-500	54	90	20	180 x 20	M36	241	70.5	863

Performance tolerance is ±20%.  
 Energy and reaction are per metre length and for Bencros C1 (standard) rubber grade.  
 EPDM, polyurethane and other compound types are available.  
 For other sizes, fixing details and other custom features, please ask Bencros.

