

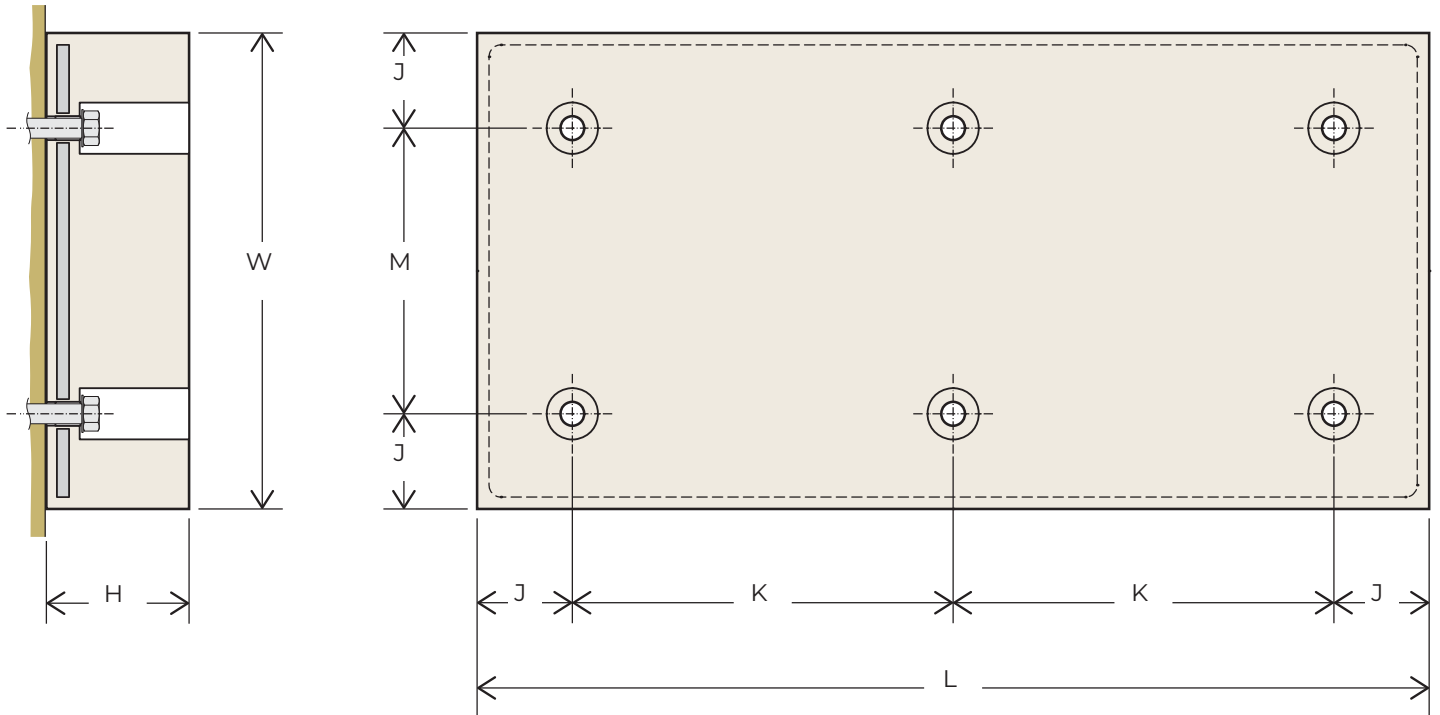
Bencros BPP are resilient panels fitted to berths where small vessels moored. They protecting both the dock face and the vessel from abrasion.

MPP are ideally suited to situations where the distance between the boat and berth must be minimised, reducing the risk of cargo dropping through the gap.

The internally vulcanised steel plate ensures a strong fixing to the structure, whilst the low profile means low bending moments in the bolts.

Bencros BPP panels come with a flat face as standard, with the option of a textured face where high friction is desirable.

Please ask Bencros for further details.



H	W	L	J	K	M	Anchors	Weight
50	500	1000	100	800	300	4 x M20	46
50	600	1000	150	700	300	4 x M20	55
50	750	1000	150	700	450	4 x M20	69
50	500	1500	100	650	300	6 x M20	69
50	600	1500	150	600	300	6 x M20	83
50	750	1500	100	600	450	6 x M20	104
75	500	1000	100	800	300	4 x M20	61
75	600	1000	150	700	300	4 x M20	73
75	750	1000	150	700	450	4 x M20	91
75	500	1500	100	650	300	6 x M20	91
75	600	1500	150	600	300	6 x M20	109
75	750	1500	100	600	450	6 x M20	137
100	500	1000	100	800	300	4 x M20	75
100	600	1000	150	700	300	4 x M20	91
100	750	1000	150	700	450	4 x M20	114

H	W	L	J	K	M	Anchors	Weight
100	500	1500	100	650	300	6 x M20	113
100	600	1500	150	600	300	6 x M20	136
100	750	1500	100	600	450	6 x M20	170
125	500	1000	100	800	300	4 x M20	90
125	600	1000	150	700	300	4 x M20	108
125	750	1000	150	700	450	4 x M20	136
125	500	1500	100	650	300	6 x M20	135
125	600	1500	150	600	300	6 x M20	163
125	750	1500	100	600	450	6 x M20	204
150	500	1000	100	800	300	4 x M20	105
150	600	1000	150	700	300	4 x M20	126
150	750	1000	150	700	450	4 x M20	158
150	500	1500	100	650	300	6 x M20	157
150	600	1500	150	600	300	6 x M20	189
150	750	1500	100	600	450	6 x M20	237

Dimensions are in millimetres, weights are in kilogramme per fender. For other sizes, fixing details and custom features, please ask Bencros.