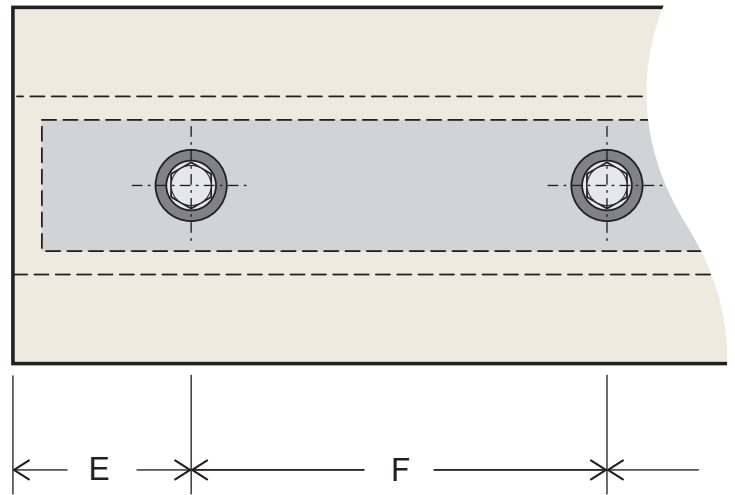
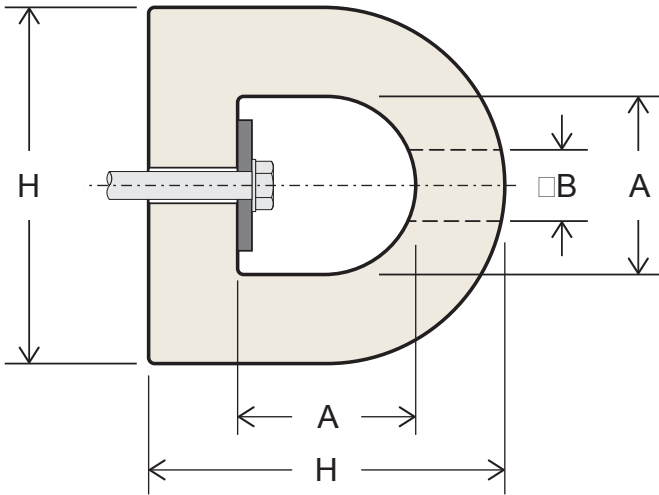


Bencros DD fenders are highly durable. They provide excellent impact protection in many applications, including jetties and wharfs, tugs and loading bays.

Moulded and extruded variants are available, cut to length, pre-drilled, ends chamfered and

with pre-curved or even angle bends, as the project demands. Bencros DD performance values are based on the standard C1 grade, but harder (high energy) and softer (low reaction) compounds are also available on request.

Please ask Bencros for further details.



H	A	ØB	E	F	Flat Bar	Anchors	Weight	Energy	Reaction
100	50	30	90-130	200-300	40 x 5	M12	8.0	1.4	77
150	75	40	110-150	250-350	60 x 8	M16	18	3.2	115
200	100	50	130-180	300-400	80 x 10	M20	32	5.7	153
250	125	60	140-200	350-450	90 x 12	M24	50	9.0	192
300	150	60	140-200	350-450	110 x 12	M24	72	12.9	230
350	175	75	140-200	350-450	130 x 15	M30	98	17.6	268
380	190	75	140-200	350-450	140 x 15	M30	116	20.7	291
400	200	75	140-200	350-450	150 x 15	M30	129	23.0	306
500	250	90	160-230	400-500	180 x 20	M36	201	35.9	383

Performance tolerance is ±20%.  
 Energy and reaction are per metre length and for Bencros C1 (standard) rubber grade.  
 EPDM, polyurethane and other compound types are available.  
 For other sizes, fixing details and other custom features, please ask Bencros.

