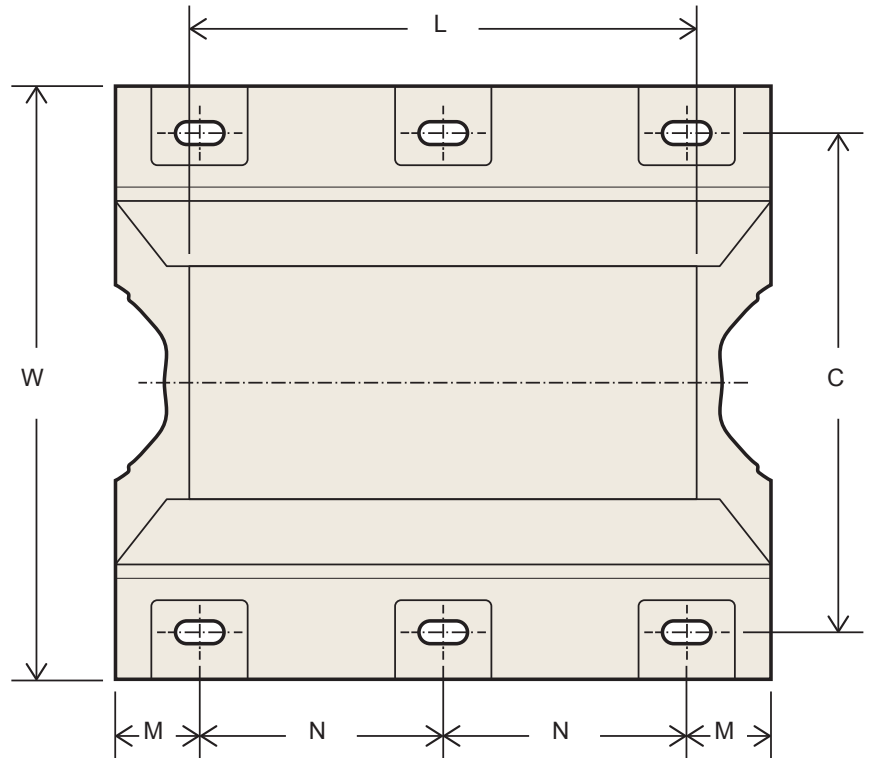
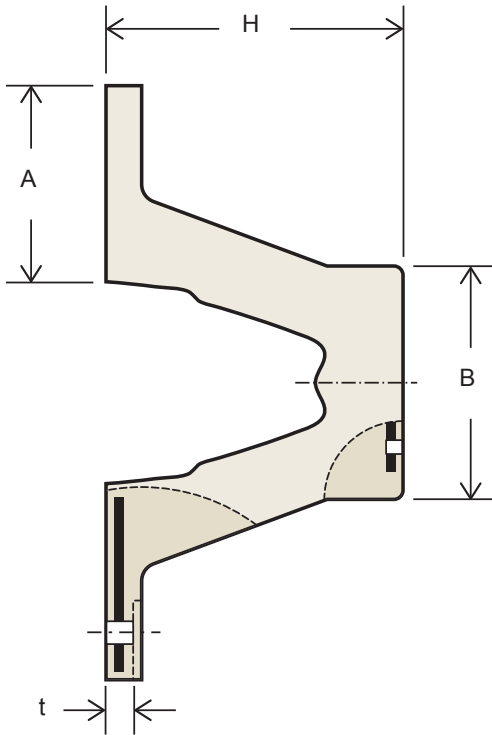


Bencros BAS Arch Fenders have a robust design, making them ideal for general-purpose berths, exposed locations and many other applications.

Minimal maintenance means they enjoy a long and trouble-free service life with low cost of ownership.

BAS Arch Fenders are commonly installed horizontally or vertically, onto new or existing structures.

Many sizes and compounds are available, whilst custom lengths, fixing configurations can be provided on request. Please speak to Bencros.



H	W	A	B	C	Slot	Fixings	L _{MIN}	1000	1500	2000	2500	3000	3500
250	500	178	200	400	58 x 29	M24	500	✓	✓	✓	✓	✓	✓
300	600	213	240	480	70 x 35	M30	600	✓	✓	✓	✓	✓	✓
400	800	285	320	640	82 x 41	M36	800	✓	✓	✓	✓	✓	✓
500	1000	358	400	800	82 x 41	M36	1000	✓	✓	✓	✓	✓	✓
600	1200	425	480	960	94 x 47	M42	1000	✓	✓	✓	✓	✓	X
800	1500	520	640	1300	100 x 50	M48	1000	✓	✓	✓	✓	✓	
1000	1800	610	800	1550	100 x 50	M48	1000	✓	✓	✓	✓	✓	

H	L = 1000			L = 1500			L = 2000			L = 2500			L = 3000			L = 3500		
	M	N	Weight	M	N	Weight	M	N	Weight	M	N	Weight	M	N	Weight	M	N	Weight
250	113	900	88	113	700	129	118	630	169	113	800	211	113	725	251	113	680	293
300	125	900	122	125	700	178	130	630	234	125	800	290	125	725	345	125	680	402
400	150	900	206	150	700	298	155	630	389	150	800	482	150	725	573	150	680	666
500	175	900	332	175	700	475	180	630	617	175	800	762	175	725	904	175	680	1048
600	200	900	476	200	700	676	205	630	875	200	800	1076	200	725	1276	Please ask Bencros		
800	250	900	840	250	700	1175	255	630	1510	250	800	1848	250	725	2183			
1000	300	900	1363	300	700	1879	305	630	2395	300	800	2918	300	725	3434			

Dimensions are in millimetres. Weights are in kilograms per fender. Cross sectional tolerance is $\pm 5\%$ and length tolerance is $\pm 40\text{mm}$, unless otherwise agreed. ✓ Standard lengths; For non-standard lengths, please ask Bencros.