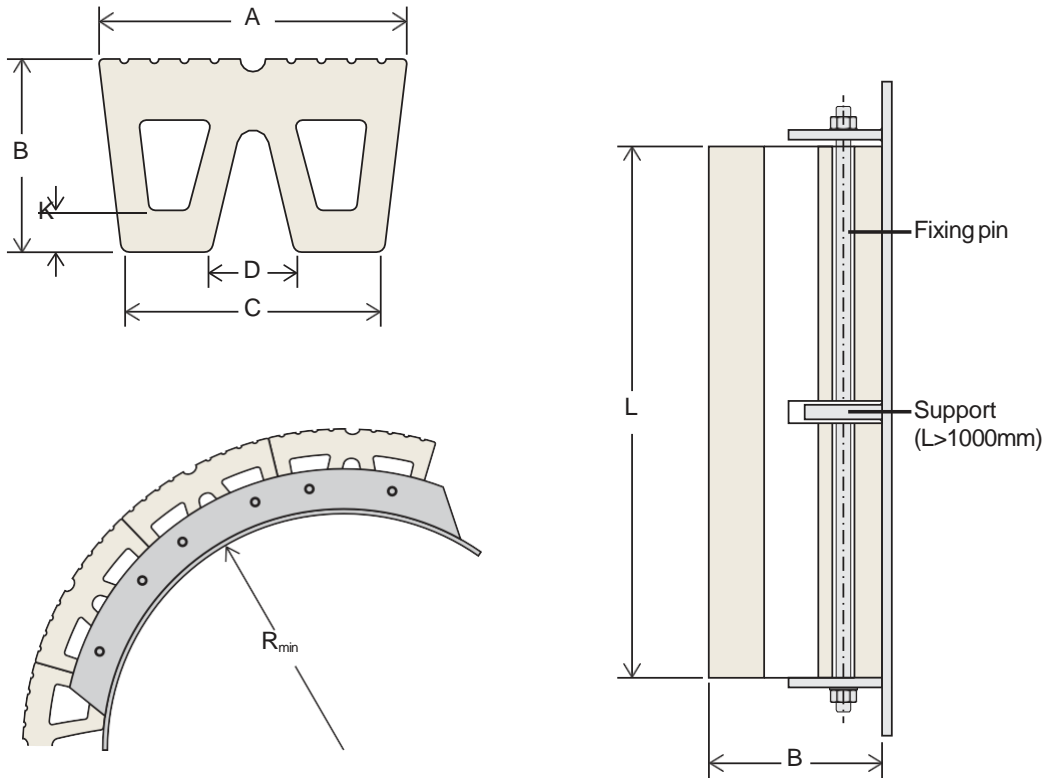


Bencros BTW Block Fenders, traditionally called W-fenders, are moulded rubber units mostly used on the bows and sterns of tugs, providing robust, heavy-duty protection.

BTW Blocks are also popular for pontoons and RoRo ramp ends. They are mounted via steel pins inserted through the twin holes which allows for easy installation and replacement.



Type	A	B	C	D	E	F	ØP	LMAX	Flat Bar	R(min)	Weight
BTW-320	320	200	280	180	100	67	25	2000	100x20	600	51
BTW-400	400	250	350	220	110	75	30	2000	120x20	800	81
BTW-480	480	300	420	265	135	90	40	2000	140x20	900	116
BTW-500	500	450	420	250	90	100	40	2000	150x20	1000	180

Performance tolerance is $\pm 20\%$.

Reaction is per square metre of flat fender area and for Bencros C1 (standard) rubber grade.

Dimensions are in millimetres.

Weights are in kilogrammes per metre length.

For other sizes, fixing details and custom features, please ask Bencros.

